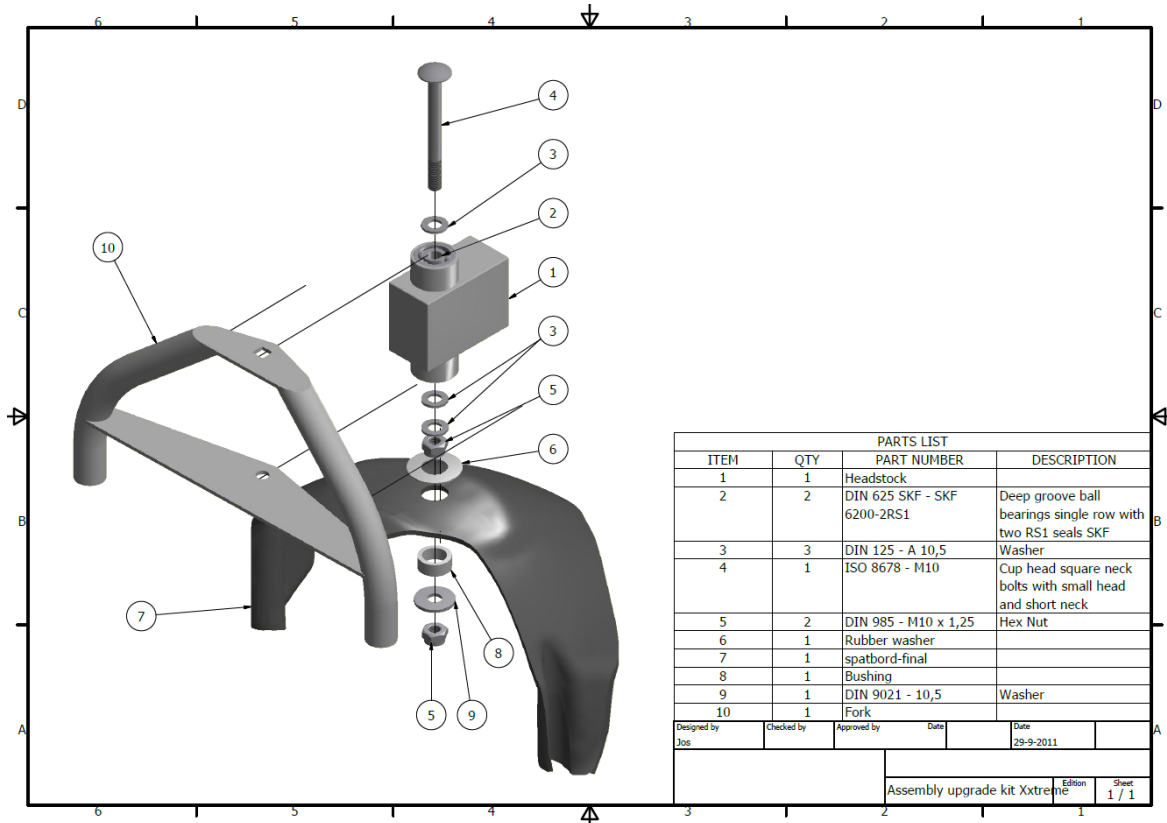




Headstock Upgrade Xtreme Apexx



Dear Customers,

From now on we have a **“Headstock Upgrade”** available for the **Xtreme Apexx**, this upgrade consists all the required parts as mentioned in the part list above, except of the down tube, 3D mudguard, bearings and frontfork. The way we designed it, is to isolate the 3D mudguard from the headstock assembly, which can come loose after a hard impact.

The only thing what you need to do, is to drill or machine the hole in the mudguard to a $\varnothing 20$ mm hole, so that part number 5 from the assembly can go thru. Followed by part 8 and 9.

If you are nearby our facility, we can do this for you. Check our website for a animated video, how the assembly works.

You can order the kit for 25 euro (inclusive shipping within Europe), send a request on our contact form at www.xtreme.nl

Best regards and Good winds !

Team Xtreme